

Keysight Y1218A Cable Tray Kit Installation Note

This installation note contains procedures for installing the Y1218A Rack Mount Kit for the Keysight M9018A 18-slot PXIe Chassis in an Keysight rack. The Y1218A Cable Tray kit allows you to route instrument cables and wires under the M9018A chassis. The cable tray kit can be used when the mainframe is on a bench top or when mounted in a rack. The tray is compatible with the Y1217A Rack Mount Rail Kit, and the Y1215A Flush Mount and Y1216A Recessed Mount Rack Adapter kits.

NOTE If you ordered the Y1217A Rail Kit or the Y1215A or Y1216A rack mount adapters, install the cable tray kit before rack mounting the M9018A chassis.

Parts List

The parts included with each cable tray kit are shown in the following table (note that not all parts listed are available as field-replaceable parts):

Part Number	Description	Quantity
M9018-00115	Cable Tray	1
0515-0380	M4 x 0.7 10mm Torx T20 Pan Head Screws for attaching the tray to the M9018A chassis	4
5041-8801	Plastic feet to (optionally) attach to the bottom of the cable tray	4

General Rack Mounting Guidelines

To rack mount the M9018A chassis, follow these guidelines:

- 1 Always begin installing the chassis and heavy instruments at the bottom of the rack and work up. This maintains a lower center of gravity and reduces the possibility of the rack tipping.
- 2 Anti-tipping feet, if available with the rack, should always be extended.
- 3 The heaviest instrument or chassis should always be mounted at the bottom of the rack.
- 4 For maximum cooling and optimum rack thermal efficiency, place the instrument or chassis with the greatest power consumption towards the top of the rack. This promotes efficient cooling since heat rises when placed nearer to the top of the rack, high power instruments will not unnecessarily heat other instruments. However, in doing this, do not violate the guideline that the heaviest instruments should be placed at the bottom of the rack.

If instruments or modules in the chassis are consuming maximum power, 1U of rack space is required for ventilation below the M9018A chassis.

Procedure

Tools Required: #1 and #2 Phillips screwdrivers, T20 Torx screwdriver

- 1 Refer to [Figure 1](#) below. For rack mounting, remove the side handles and handle covers from both sides of the M9018A PXIe chassis.

CAUTION

Do not stand the chassis on its side; the side handles may cause the chassis to tip over.

- 2 On M9018A chassis with serial number TW54XXXXX and later, two additional screws must be removed (one on each side of the chassis). Refer to [Figure 1](#). Note that earlier chassis did not have these screws.
- 3 Remove the four chassis feet by pulling out the small rubber insert on each foot and then removing the Phillips screw that attaches the foot to the chassis. See [Figure 1](#).

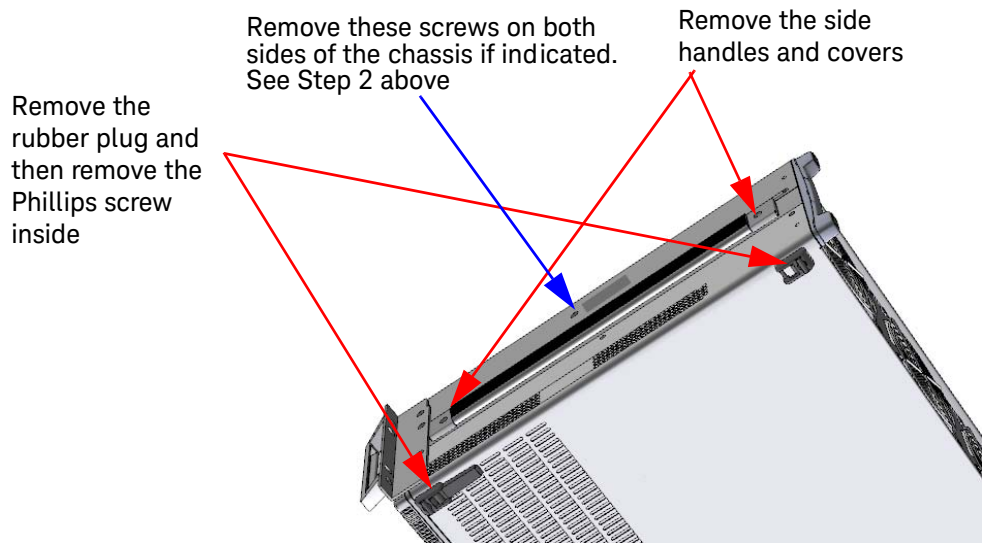


Figure 1 Remove the M9018A chassis handles and feet.

- 4 Attach the cable tray to the chassis as shown in [Figure 2](#) using the four M4 x 0.7 x 10 T20 Torx pan head screws supplied in the kit. The screws go into the screw holes where you removed the plastic feet.

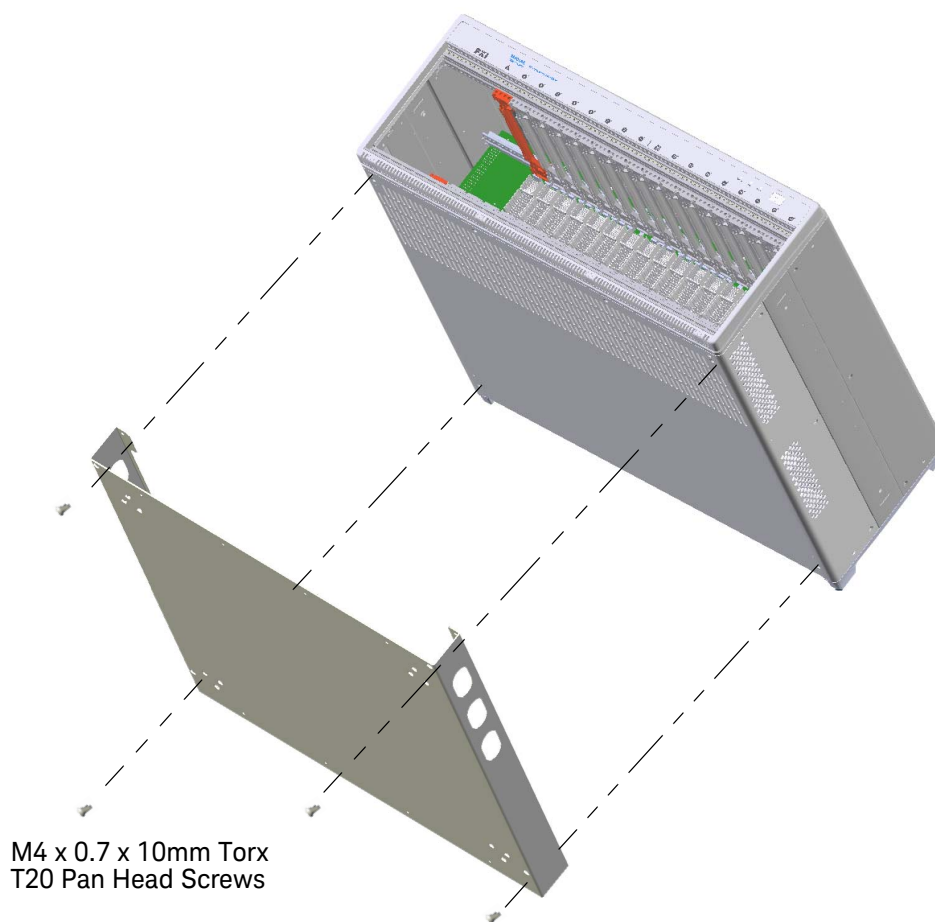


Figure 2 Installing the Cable Tray

- 5 Optionally, for bench top use, install the four plastic feet (supplied with the kit) on the bottom of the cable tray. The feet are not used for rack mounting.
- 6 For rack mounting, use either the Y1215B Flush Mount Adapter or the Y1216A Recess Mount Adapter kit and the Y1217A Rack Slide kit.

WARNING

To prevent injury during rack mounting, the chassis should be empty and two people should lift it into the rack.

- 7 Slide the M9018A chassis into the rack until the rack mount front brackets are against the rack's vertical columns. Secure the chassis to the rack using the screws provided with the rack mount kits.

NOTE

If the rack will be moved excessively or over long distances, you should use support rails and a strap to secure the chassis to the rack slides.

This information is subject to change without notice.

© Keysight Technologies 2014

Edition 3 September 2014



Y1218-90001

www.keysight.com